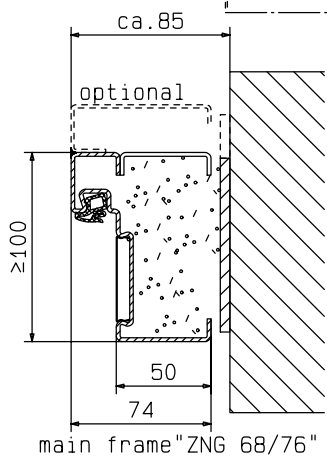
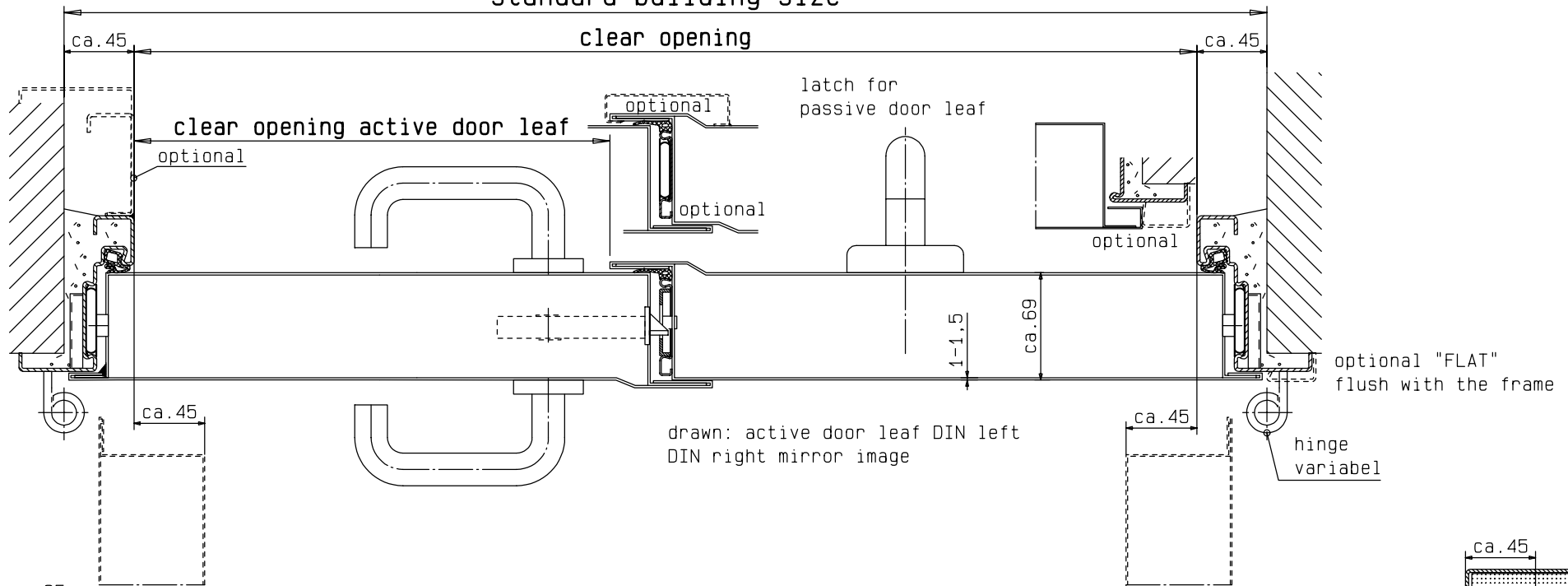
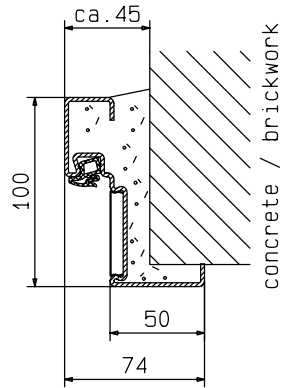


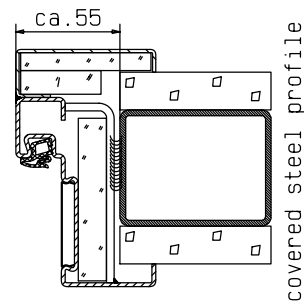
standard building size



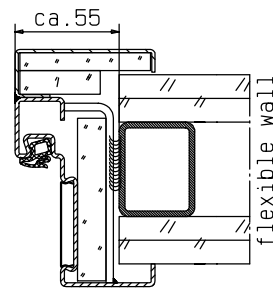
main frame "ZNG 68/76"



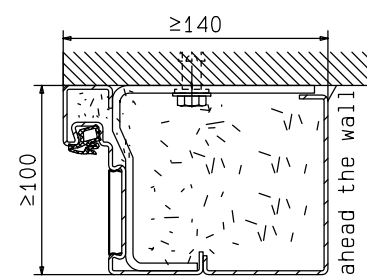
optional frame "ZNG 58/76"



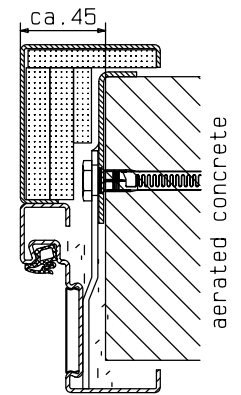
covered steel profile



flexible wall



ahead the wall



aerated concrete

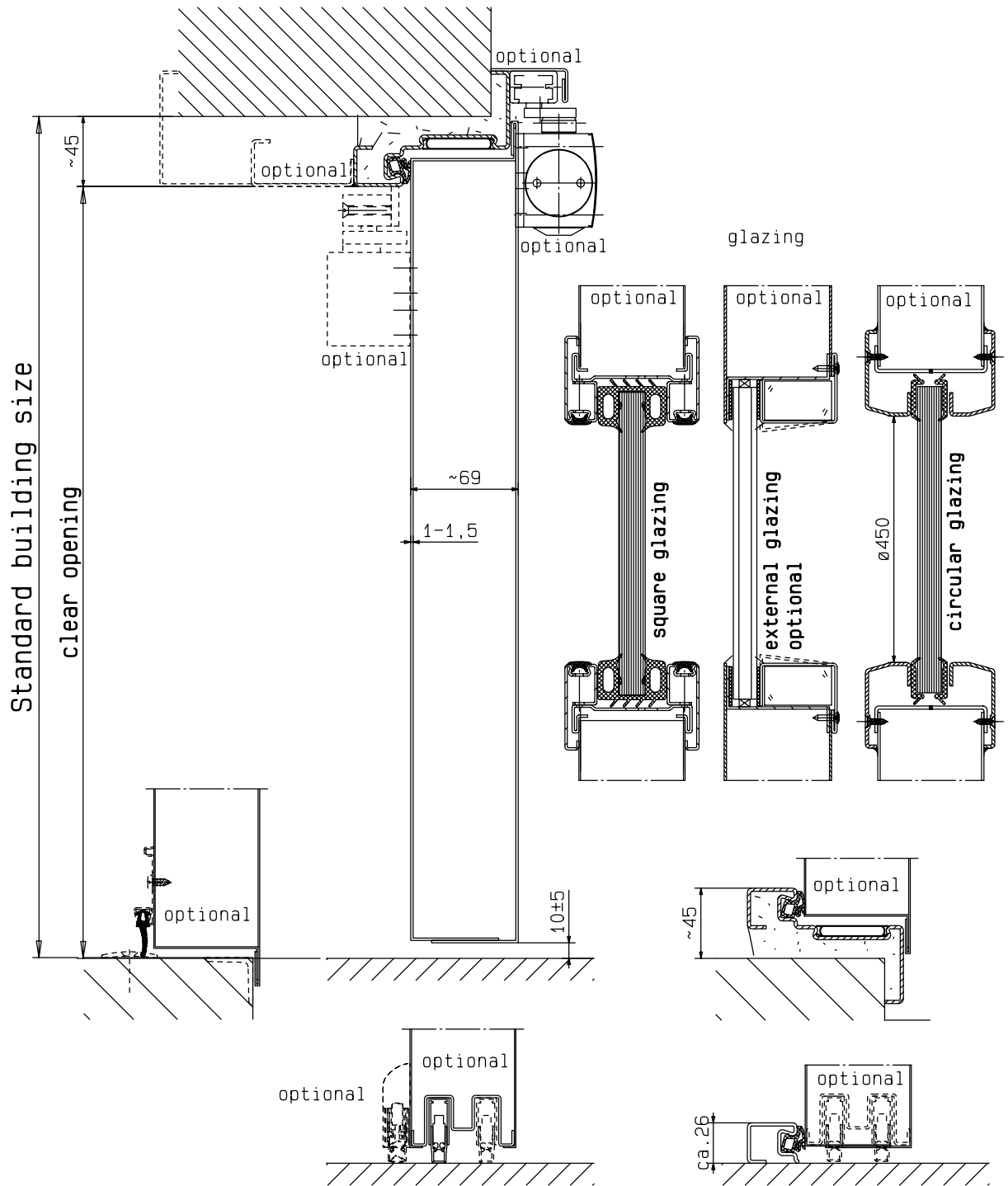
detail of glazing
see at vertical cross-section

01.07.2020

System Schröders
Innovation Tür und Tor

Gerhard-Welter-Straße 7; D-41812 Erkelenz

double leaf steel fire door
EI230/E30/EW30-C5-S_a(S200)
"System Schröders TSN-2"
horizontal cross-section



Also deliverable as an external door
 CE-marked according to EN 14351-1

details of fitting or frame
 see at horizontal cross-section

System Schröders
 Innovation Tür und Tor

Gerhard-Welter-Straße 7; D-41812 Erkelenz

double leaf steel fire door
EI20/E30/EW30-C5-S₂(S200)
"System Schröders TSN-2"
 vertical cross-section