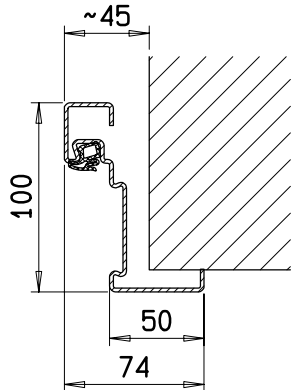
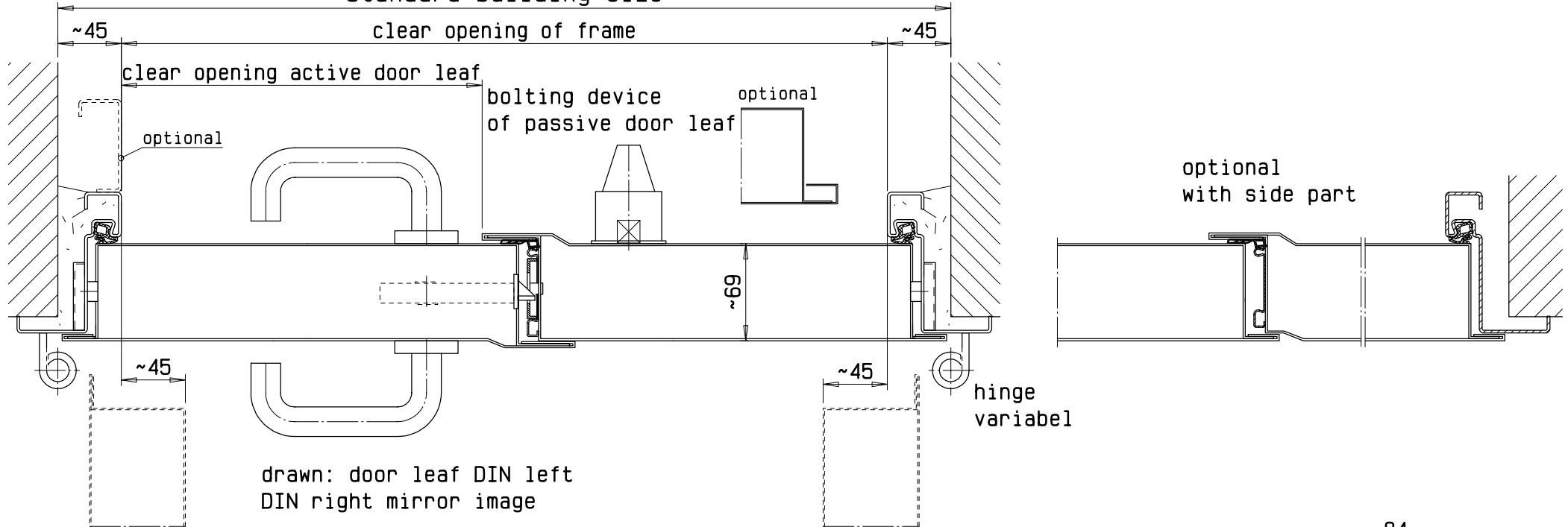
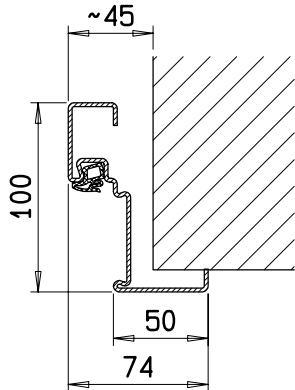


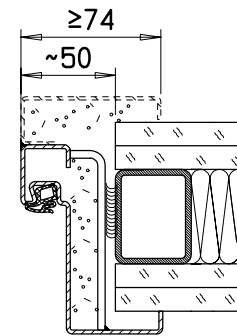
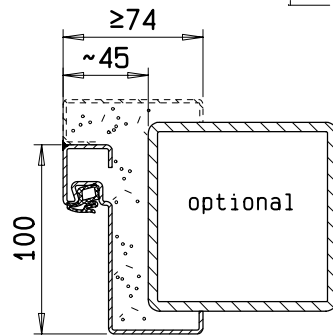
Standard building size



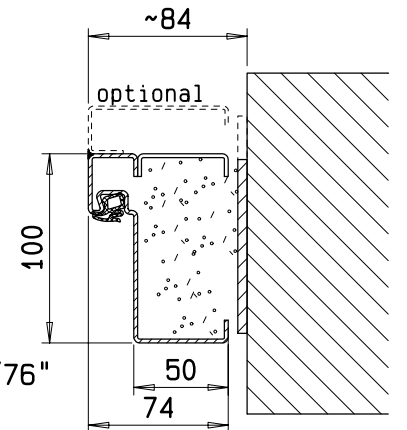
frame "ZNG 68/76", optional



frame "ZNG 58/76", optional



frame "ZG 68/76"

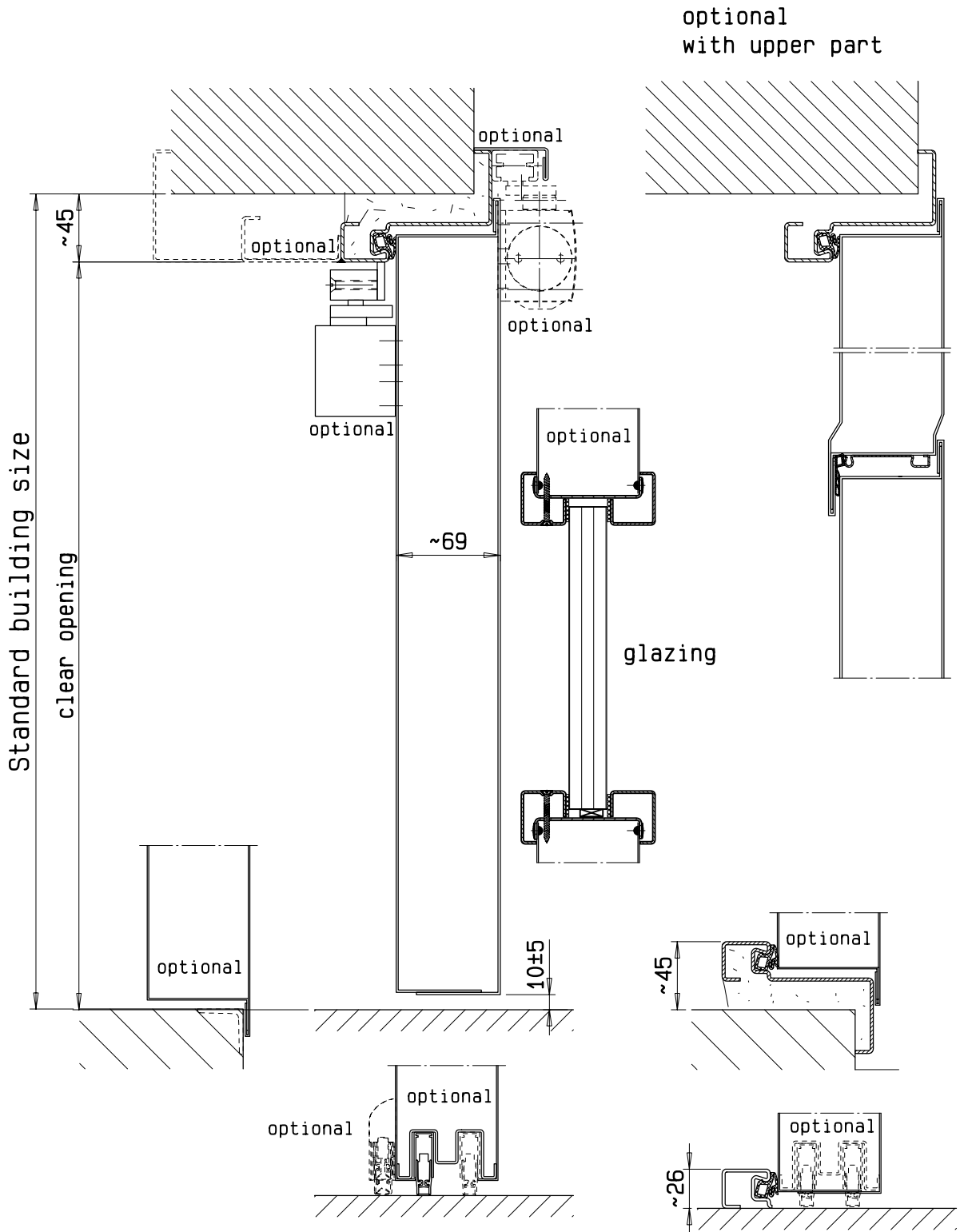


System Schröders
Innovation Tür und Tor

Gerhard-Welter-Straße 7; D-41812 Erkelenz

double leaf steel internal door
"System Schröders ISN-2"

horizontal cross-section



System Schröders
 Innovation Tür und Tor

Gerhard-Welter-Straße 7; D-41812 Erkelenz

double leaf steel internal door
"System Schröders ISN-2"

vertical cross-section