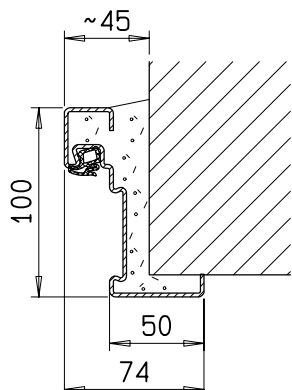
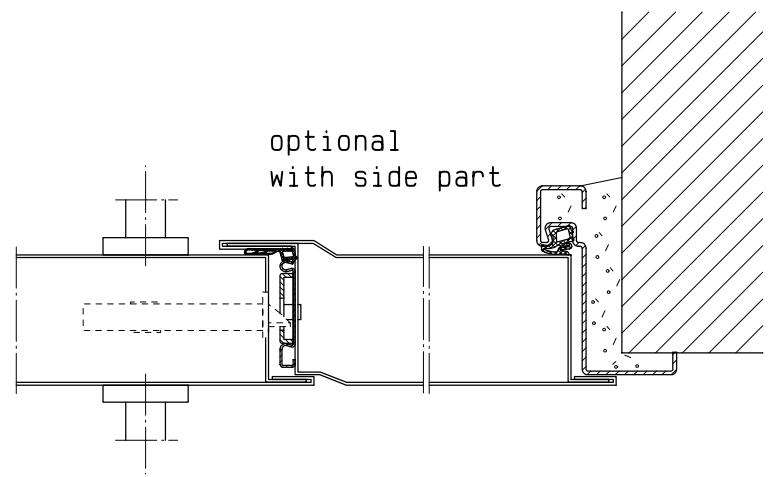
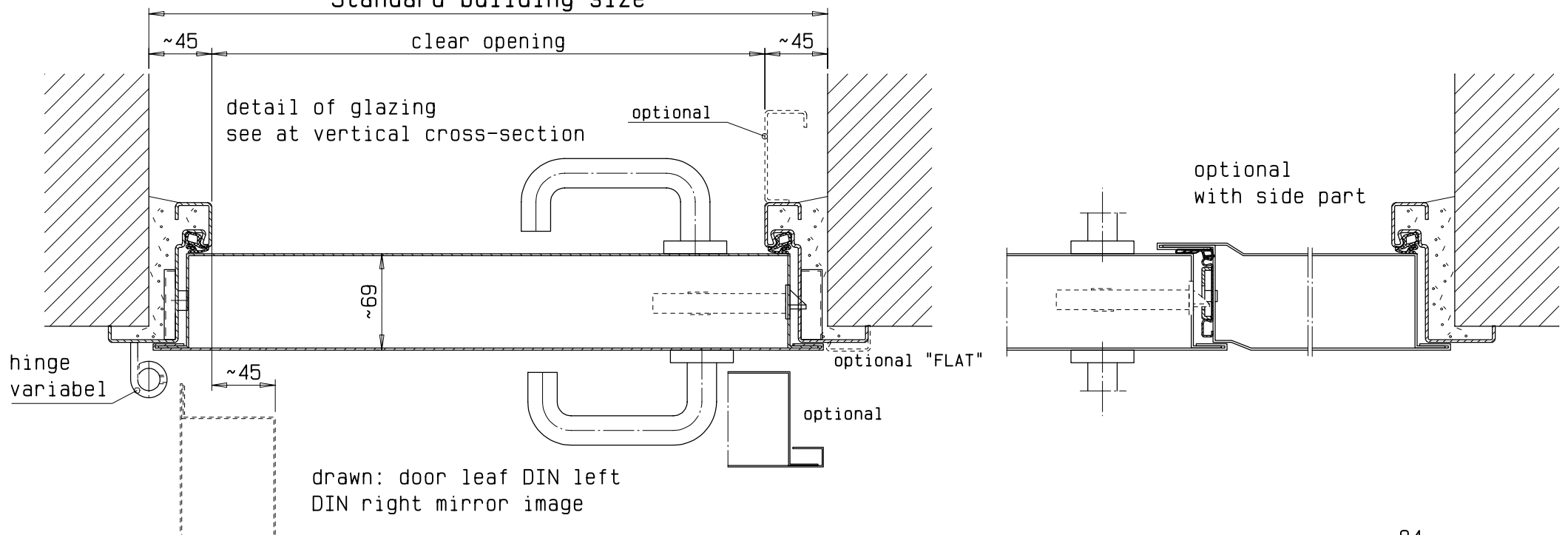
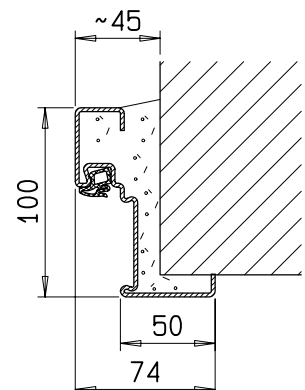


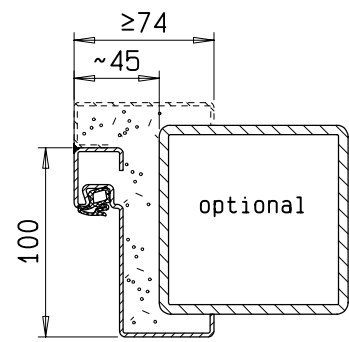
Standard building size



frame "ZNG 68/76", optional

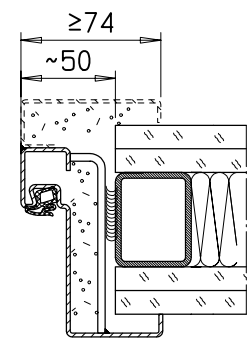


frame "ZNG 58/76", optional

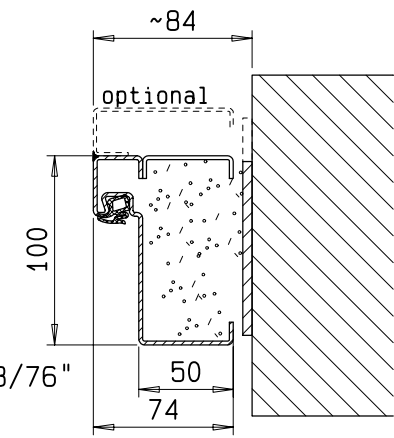


System Schröders
Innovation Tür und Tor

Gerhard-Welter-Straße 7; D-41812 Erkelenz

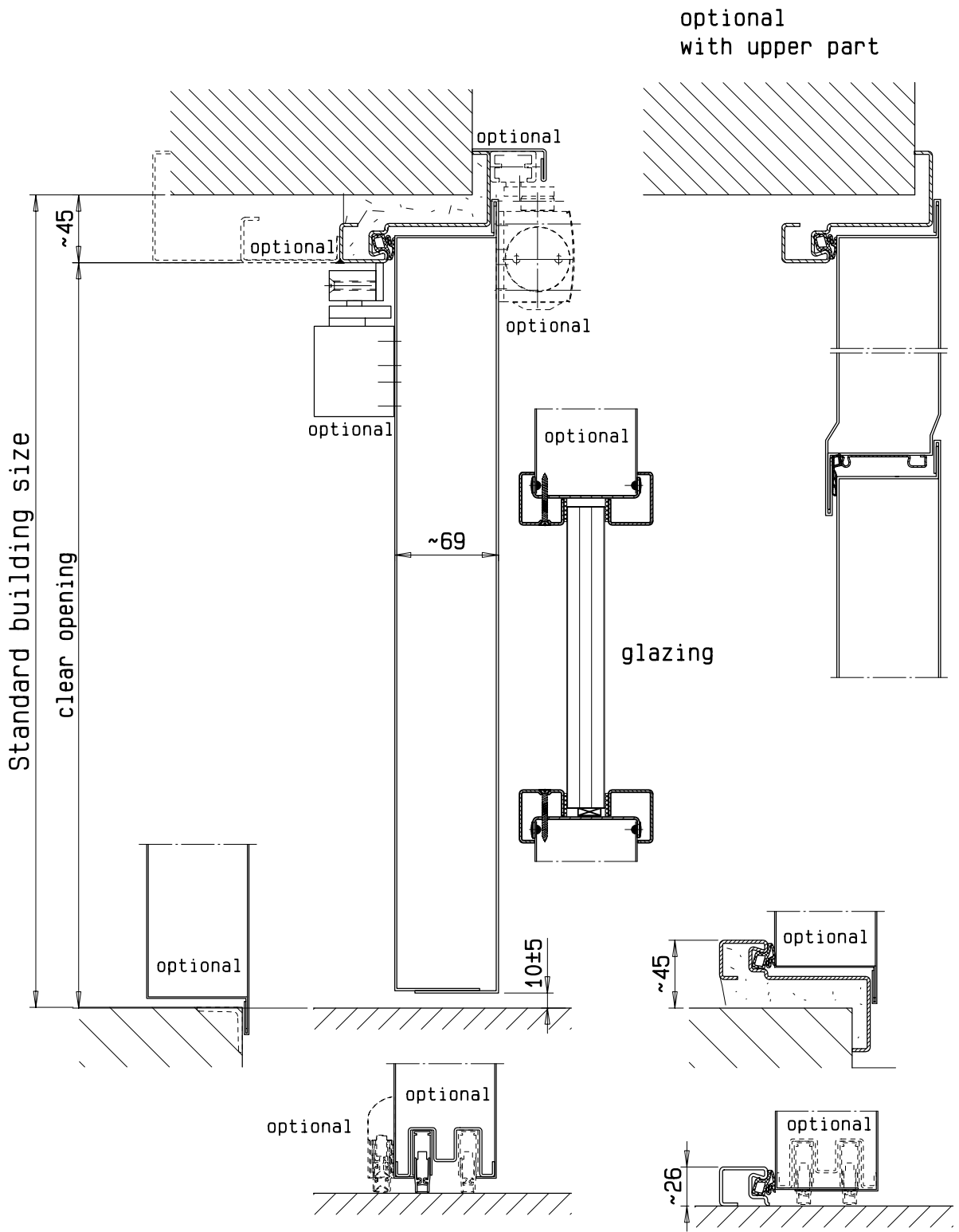


frame "ZG 68/76"



single leaf steel internal door
"System Schröders ISN-1"

horizontal cross-section



System Schröders
 Innovation Tür und Tor

Gerhard-Welter-Straße 7; D-41812 Erkelenz

single leaf steel internal door
"System Schröders ISN-1"

vertical cross-section