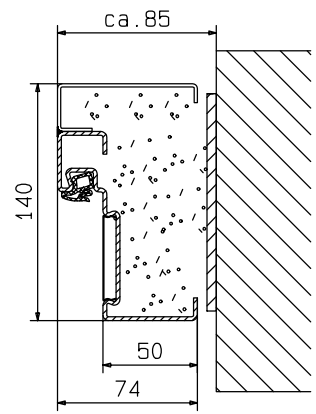
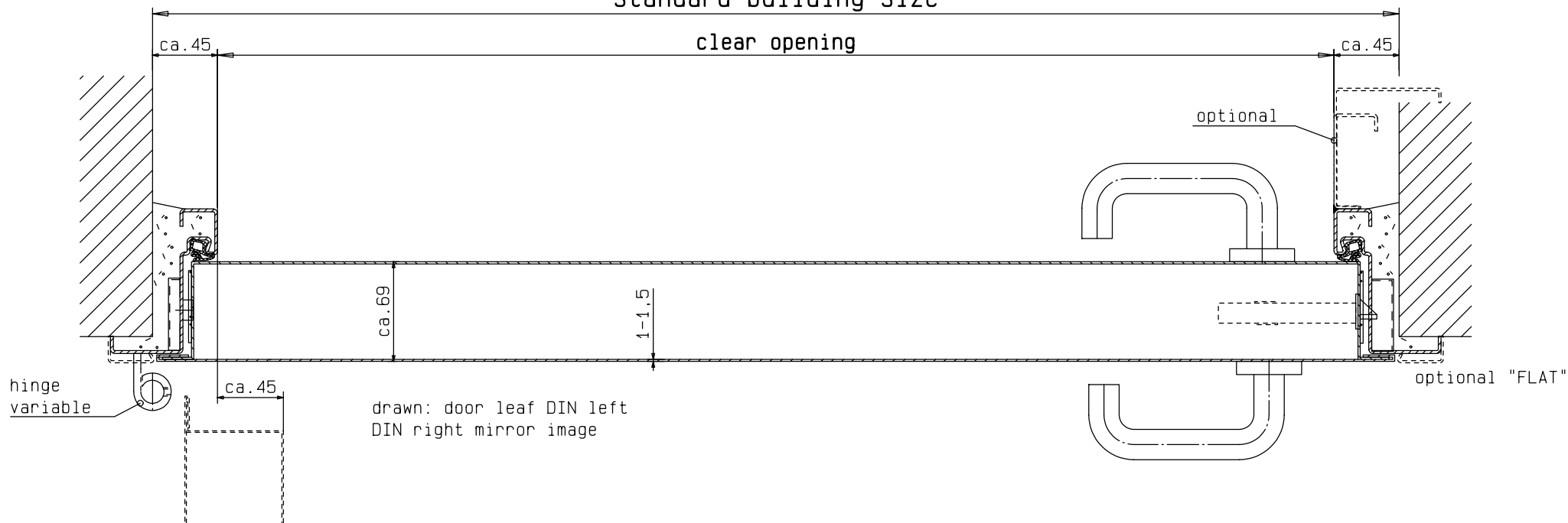
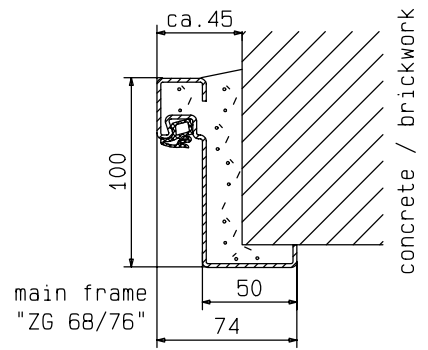
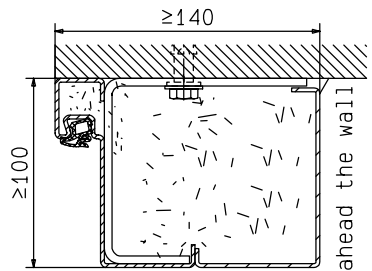


standard building size



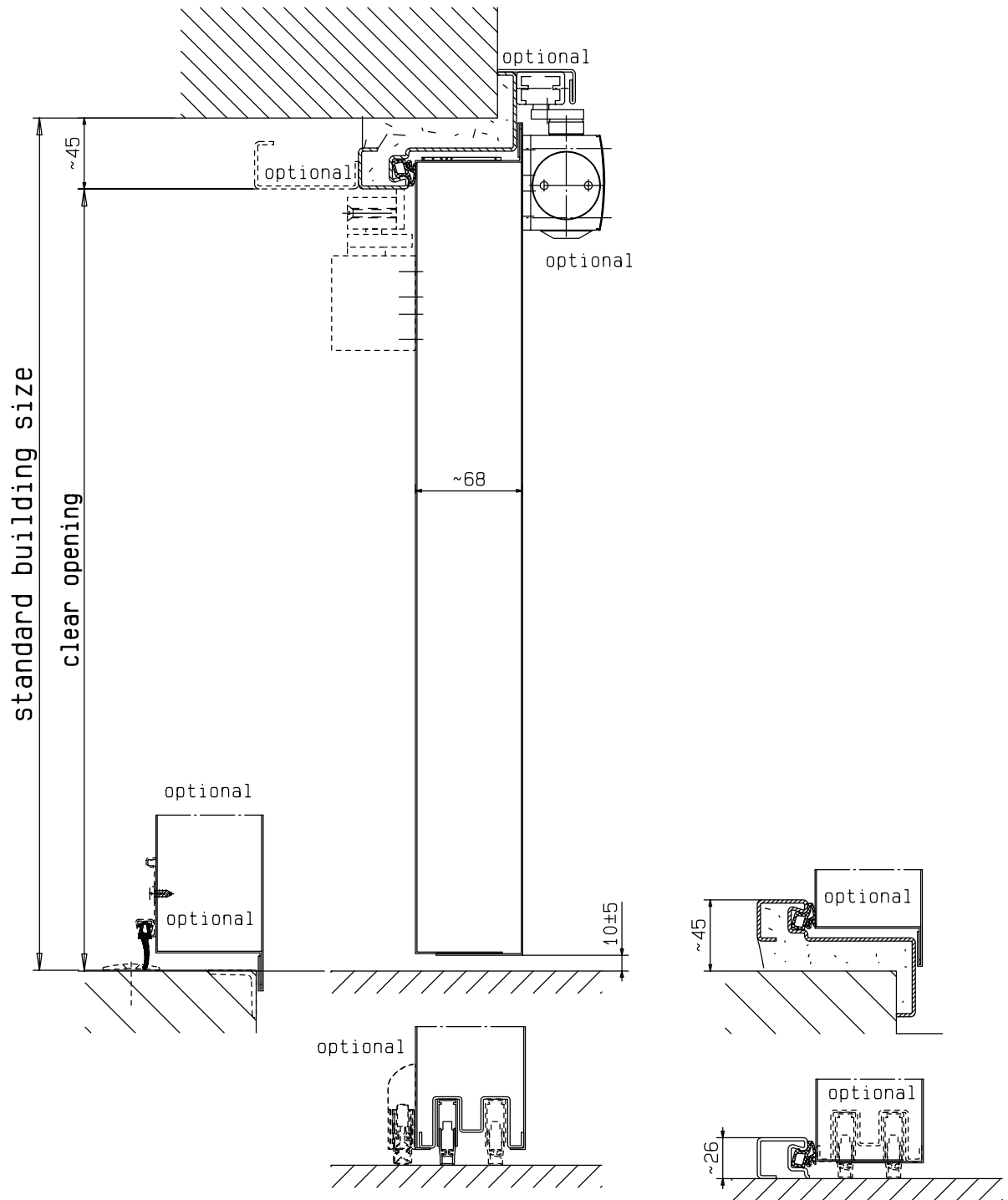
frame "ZNG 68/76", optional



**System Schröders**  
Innovation Tür und Tor

Gerhard-Welter-Straße 7; D-41812 Erkelenz

**single leaf steel fire door**  
**EI<sub>2</sub>120/E120/EW60-(Sa/S<sub>200</sub>)**  
**"System Schröders EIS-11"**  
horizontal cross-section



Also deliverable as an external door  
CE-marked according to EN 14351-1

details of fitting or frame  
see at horizontal cross-section

**System Schröders**  
Innovation Tür und Tor

Gerhard-Welter-Straße 7; D-41812 Erkelenz

**single leaf steel fire door**  
**EI2120/E120/EW60-(Sa/S20)**  
**"System Schröders EIS-11"**  
vertical cross-section